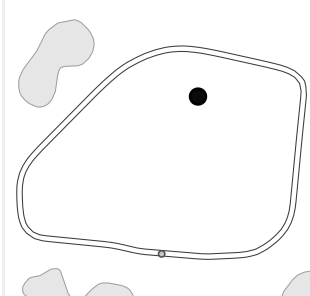
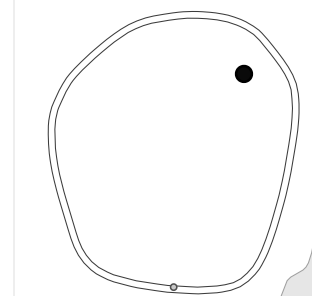


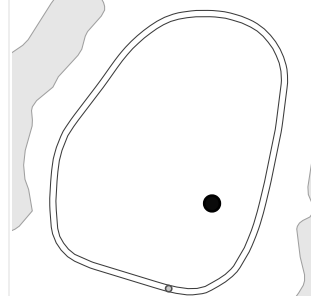
1
+7
D: 24
19

A diagram of a golf hole with a black dot representing the hole's location and a small circle at the bottom representing the green's edge.

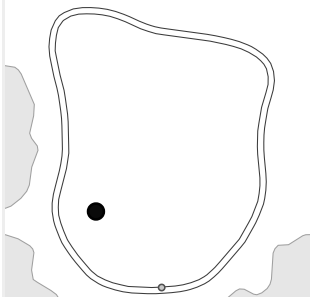
7
+8
D: 26
21 R4

A diagram of a golf hole with a black dot representing the hole's location and a small circle at the bottom representing the green's edge.

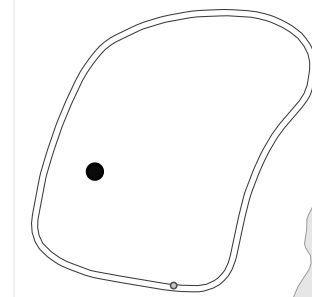
13
-5
D: 29
9 R5

A diagram of a golf hole with a black dot representing the hole's location and a small circle at the bottom representing the green's edge.

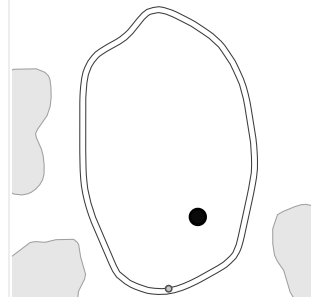
2
-6
D: 29
8 L4

A diagram of a golf hole with a black dot representing the hole's location and a small circle at the bottom representing the green's edge.

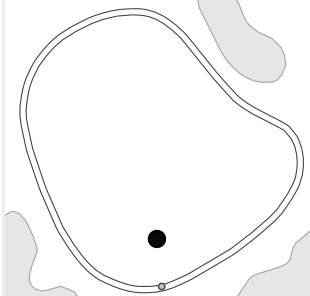
8
-2
D: 28
12 L5

A diagram of a golf hole with a black dot representing the hole's location and a small circle at the bottom representing the green's edge.

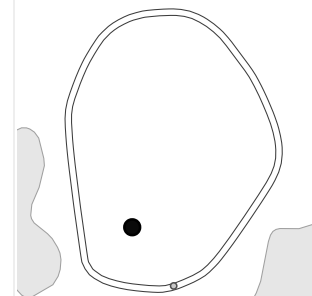
14
-7
D: 31
8 R5

A diagram of a golf hole with a black dot representing the hole's location and a small circle at the bottom representing the green's edge.

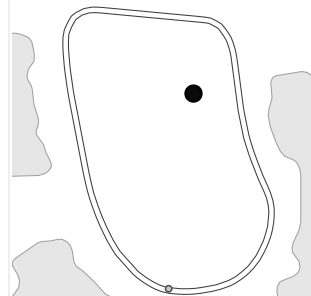
3
-9
D: 29
5

A diagram of a golf hole with a black dot representing the hole's location and a small circle at the bottom representing the green's edge.

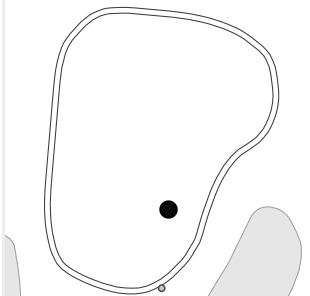
9
-8
D: 28
6 L5

A diagram of a golf hole with a black dot representing the hole's location and a small circle at the bottom representing the green's edge.

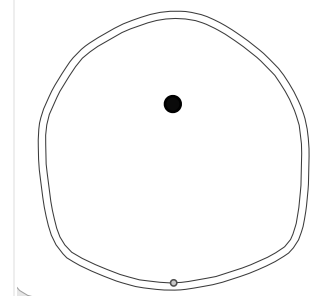
15
+7
D: 33
23 R5

A diagram of a golf hole with a black dot representing the hole's location and a small circle at the bottom representing the green's edge.

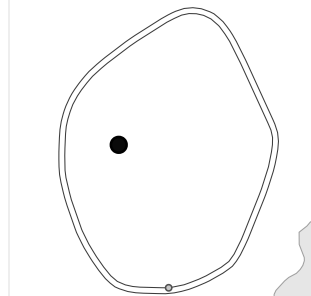
4
-7
D: 31
9 R4

A diagram of a golf hole with a black dot representing the hole's location and a small circle at the bottom representing the green's edge.

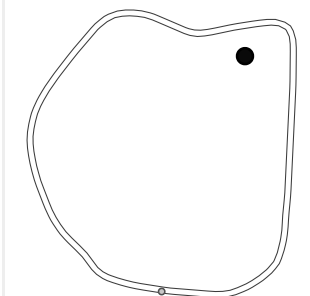
10
+4
D: 24
16

A diagram of a golf hole with a black dot representing the hole's location and a small circle at the bottom representing the green's edge.

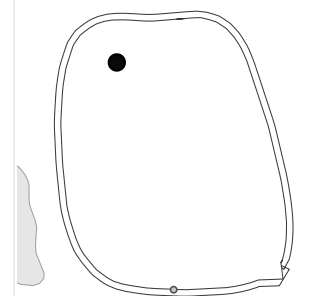
16
+1
D: 31
16 L6

A diagram of a golf hole with a black dot representing the hole's location and a small circle at the bottom representing the green's edge.

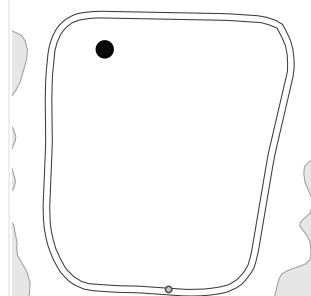
5
+11
D: 30
26 R5

A diagram of a golf hole with a black dot representing the hole's location and a small circle at the bottom representing the green's edge.

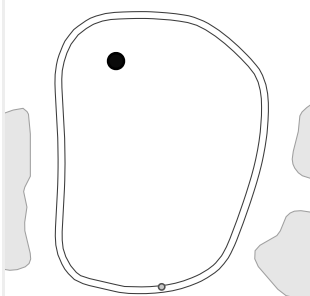
11
+9
D: 28
23 L5

A diagram of a golf hole with a black dot representing the hole's location and a small circle at the bottom representing the green's edge.

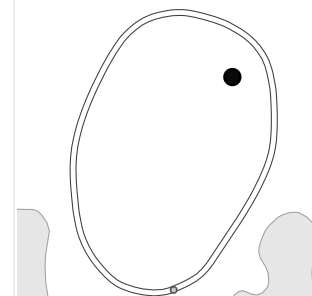
17
+10
D: 27
24 L5

A diagram of a golf hole with a black dot representing the hole's location and a small circle at the bottom representing the green's edge.

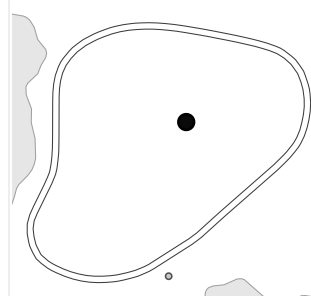
6
+9
D: 26
22 L5

A diagram of a golf hole with a black dot representing the hole's location and a small circle at the bottom representing the green's edge.

12
+9
D: 31
24 R4

A diagram of a golf hole with a black dot representing the hole's location and a small circle at the bottom representing the green's edge.

18
+3
D: 26
16 R12

A diagram of a golf hole with a black dot representing the hole's location and a small circle at the bottom representing the green's edge.